

Fig. 1

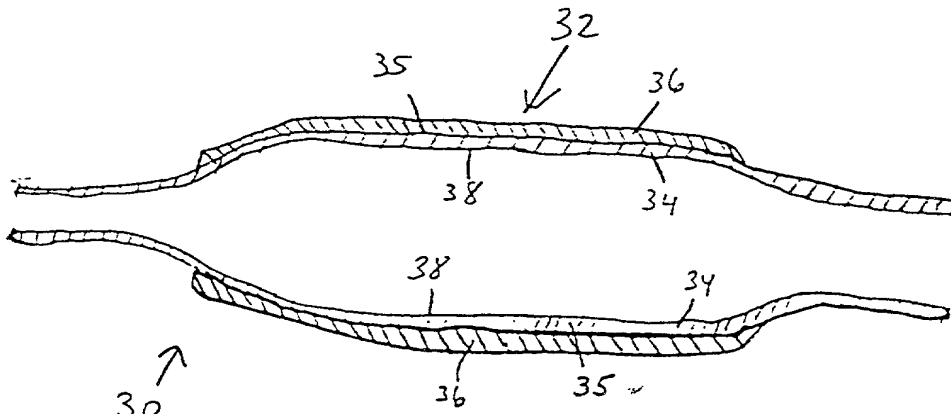
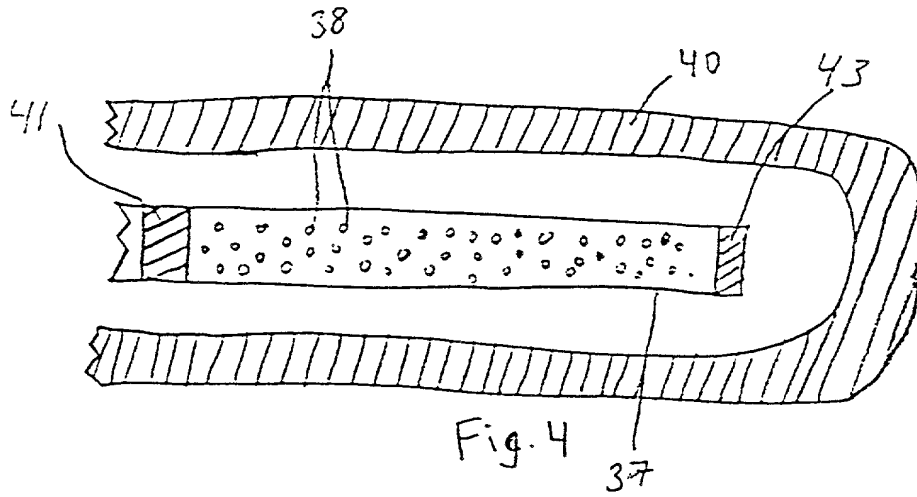
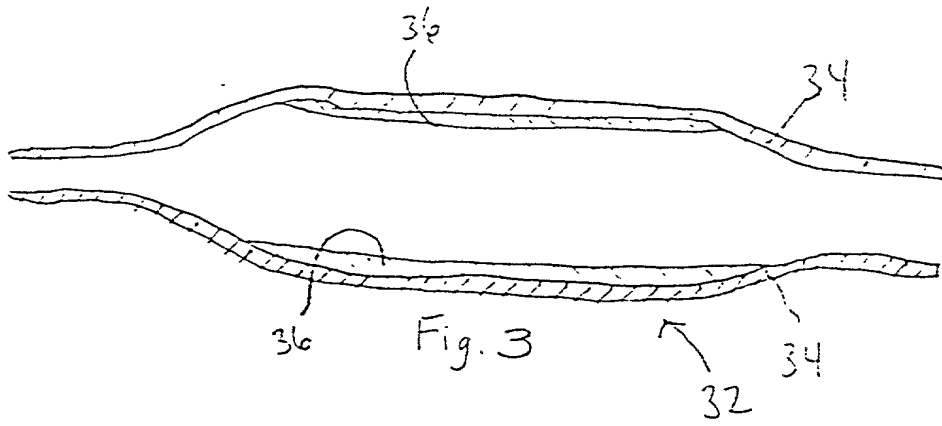
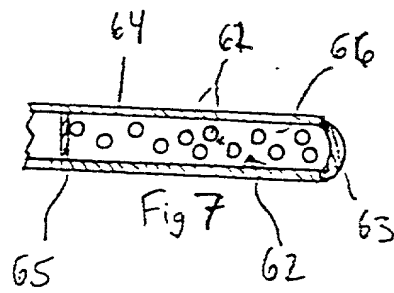
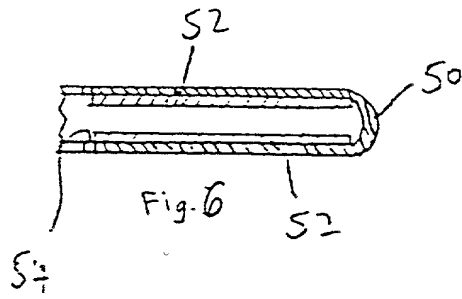
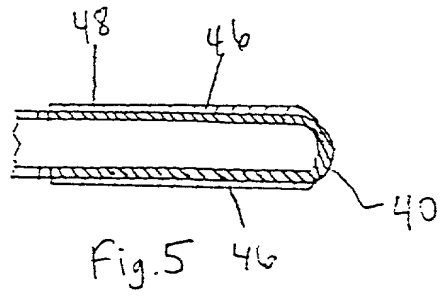


Fig. 2

FIG. 1



FOR THE PATENT OFFICE



FOR OFFICIAL USE ONLY

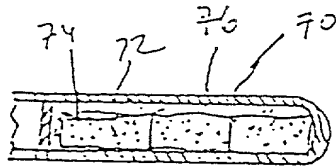


Fig. 8

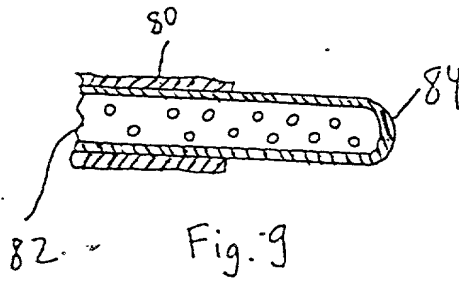
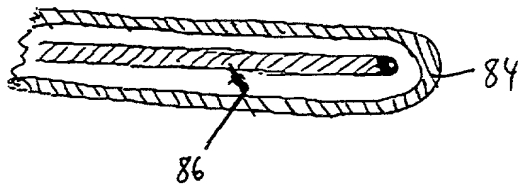


Fig. 9

FIG. 10



FOR SEVEN

